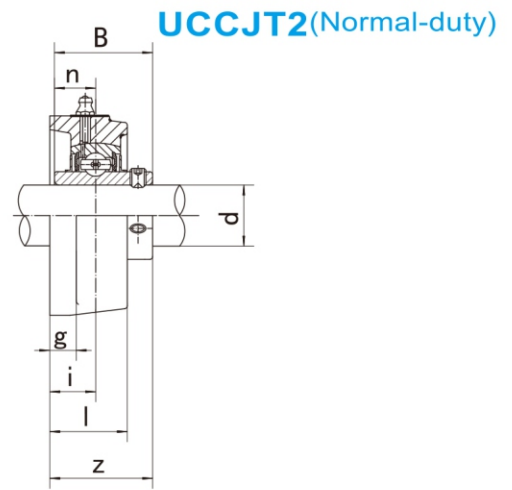
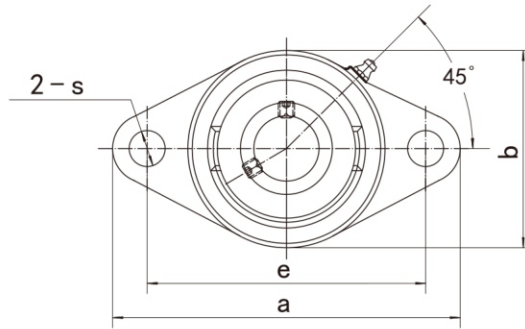


Flange Units (Oval)



Unit NO.	Dimensions (mm / in.)											Bolt Size mm/in.	Bearing No.	Housing No.	Weight (kg)
	d	a	e	i	g	l	s	b	z	B	n				
UCCJT201	12	99 3-57/64	76.5 3-1/64	17 43/64	9.5 3/8	25 63/64	11.5 29/64	57 2-1/4	32.9 1-19/64	27.4 1.0787	11.5 0.453	M10 3/8	UCS201RG	CJT201	0.37
UCCJT202	15												UCS202RG	CJT202	0.36
UCCJT203	17												UCS203RG	CJT203	0.35
UCCJT204	20	112 4-13/32	90 3-35/64	19 3/4	10 25/64	28 1-7/64	11.5 29/64	61 2-13/32	37.3 1-15/32	31 1.2205	12.7 0.500	M10 3/8	UC204RG	CJT204	0.45
UCCJT205	25	124 4-7/8	99 3-57/64	19 3/4	11 7/16	29 1-9/64	11.5 29/64	70 2-3/4	38.8 1-17/32	34.1 1.3425	14.3 0.563	M10 3/8	UC205RG	CJT205	0.61
UCCJT206	30	142 5-19/32	116.5 4-19/32	20 25/32	12 15/32	30 1-3/16	11.5 29/64	80 3-5/32	42.2 1-21/32	38.1 1.5000	15.9 0.626	M10 3/8	UC206RG	CJT206	0.83
UCCJT207	35	155 6-7/64	130 5-1/8	21 53/64	12.5 31/64	32 1-17/64	14 35/64	92 3-5/8	46.4 1-53/64	42.9 1.6890	17.5 0.689	M12 1/2	UC207RG	CJT207	1.14
UCCJT208	40	172 6-49/64	143.5 5-43/64	24 61/64	13 33/64	35 1-3/8	14 35/64	105 4-9/64	54.2 2-9/64	49.2 1.9370	19 0.748	M12 1/2	UC208RG	CJT208	1.62
UCCJT209	45	180 7-5/32	148.5 5-53/64	24 61/64	13 33/64	36 1-27/64	14 35/64	111 4-3/8	54.2 2-9/64	49.2 1.9370	19 0.748	M12 1/2	UC209RG	CJT209	1.75
UCCJT210	50	190 7-31/64	157 6-3/16	28 1-7/64	13 33/64	41 1-5/8	18 45/64	116 4-9/16	60.6 2-25/64	51.6 2.0315	19 0.748	M16 5/8	UC210RG	CJT210	2.05
UCCJT211	55	222 8-47/64	184 4-39/64	31 1-7/32	15 19/32	44 1-47/64	18 45/64	134 5-9/32	64.4 2-17/32	55.6 2.1890	22.2 0.874	M16 5/8	UC211RG	CJT211	3.12
UCCJT212	60	238 9-3/8	202 5-1/8	34 1-11/32	16 5/8	48 1-57/64	18 45/64	138 5-7/16	73.7 2-29/32	65.1 2.5630	25.4 1.000	M16 5/8	UC212RG	CJT212	3.59
UCCJT213	65	258 10-5/32	216 8-1/2	38 1-1/2	18 45/64	57 2-1/4	21 53/64	160 6-19/64	77.7 3-1/16	65.1 2.5630	25.4 1.000	M18 23/32	UC213RG	CJT213	5.47
UCCJT214	70	258 10-5/32	216 8-1/2	38 1-1/2	18 45/64	57 2-1/4	21 53/64	160 6-19/64	82.5 3-1/4	74.6 2.9370	30.2 1.189	M18 23/32	UC214RG	CJT214	5.86
UCCJT215	75	258 10-5/32	216 8-1/2	38 1-1/2	18 45/64	57 2-1/4	21 53/64	160 6-19/64	82.5 3-1/4	77.8 3.0630	33.3 1.311	M18 23/32	UC215RG	CJT215	5.68